

Harrington Signal Inc.
2519 4th Avenue, Moline, Illinois 61265
P.O. Box 590, Moline, Illinois 61266-0590
Phone: (800) 577-5758 Local: (309) 762-0731 Fax: (309) 762-8215
Internet: www.harringtonfire.com



Description

The IS812 Quick Response Monitor Module is designed to fit into a 4" junction box. The red indicating LED is visible through the cover plate. The unit incorporates the IS812 priority interrupt facility to give the fastest response to a contact closure.

An eight position dip which allows for setting the device address and whether the device being monitored is wired to the module as a Class A (Style D) or Class B (Style B) circuit.

This module can be used to monitor any alarm initiating device with normally open contacts.

Features

- Gives fast response to a contact closure
- Eight position dip switch
- Monitor any fire alarm initiating device with normally open contacts
- Red light indicator
- White polycarbonate housing
- Mounts in 4" box



Ordering Information

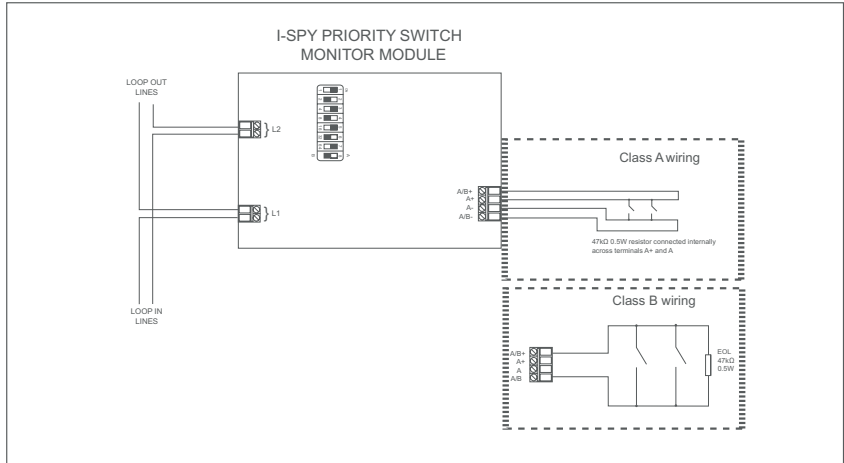
Model Number	Part Number	Description
IS812	IS812	Quick Response Monitor Module



Notes for Class A and Class B

Wiring

1. All wiring must conform to applicable local codes, ordinances and regulations. e.g. NFPA 72
2. Select Class A or B mode using BIT 8 of DIL switch
3. Symbols represent normally open devices (compatible conventional detectors, pull stations, or switches).



Technical Specifications

SLC wiring.....	Two wire supply, polarity insensitive
Supply Voltage.....	16-28 VDC
Current Consumption.....	6mA
Style.....	Styles 4, 6, and 7
Terminations.....	Screw terminals
Address Setting.....	Dip switch
Alarm Indicator.....	Red LED visible through cover plate
Monitored Device:	
Contact.....	Normally open
Terminations.....	Screw terminals
Class.....	Class A (Style D) or Class B (Style B) switch selectable
End-of-Line Resistor.....	47K
Operating Temperature.....	0°F to +155°F
Humidity.....	0% to 95% relative humidity
Dimensions.....	4in. x 4in. x 1.3 in.
Weight.....	3oz.
Mounting.....	Centers to fit 4" box, NEMA OS-1-1989
Materials.....	Housing and cover plate is white polycarbonate V-O rated to UL 94.

NOTICE: The information contained in this document is intended only as a summary and is subject to change without notice. The devices described in this document have specific instruction sheets which cover various technical, limitation and liability information. Copies of these instruction sheets and the General Product Warning and Limitations Document, which also contains important information are provided with the product and are available from Harrington Signal Inc. Fire Alarm. Information contained in these documents should be consulted before specifying or using the product. For further information or assistance concerning particular problems contact Harrington Signal Inc. Harrington Signal Inc. Fire Alarm reserves the right to change specifications without notice. Quality manufactured for Harrington by Apollo.