

Harrington Signal Inc.  
2519 4th Avenue, Moline, Illinois 61265  
P.O. Box 590, Moline, Illinois 61266-0590  
Phone: (800) 577-5758 Local: (309) 762-0731 Fax: (309) 762-8215  
Internet: www.harringtonfire.com



### Description

Harrington's Weatherproof Strobe, Audible Strobe, Audible Horn and Multi-tone Strobe appliances have an extended temperature range of -31°F to 150°F (-35°C to 66°C) that will satisfy virtually all outdoor and severe environment applications. All strobes are Indoor/Outdoor UL Standard 1638 Listed and rated for 180 candela on axis @ 77°F (25°C) and 75 candela at -31°F (35°C) with low current draw.

The Harrington Weatherproof Appliances are designed for maximum performance, reliability, and cost effectiveness while meeting or exceeding the latest requirements of NFPA 72 (National Fire Alarm Code), UL Standard 1638 (Standard for Visual Signaling Appliances), and UL Standard 464 (Standard for Audible Signaling Appliances).

Series RSSWP Strobes, Series ASWP Audible Strobes and Series AHWP Audibles may be synchronized

when used in conjunction with the Harrington SM and DSM Sync Modules or the PS-12/24-8CP and PS-12/24-8MP Power Supplies with Patented Sync Protocol. The Series MTWP is a true 4-wire appliance. The strobe portion can be synchronized as stated above. The multi-tone portion cannot, but it can be connected to a coded fire alarm system.

Weatherproof Strobe Series RSSWP Is UL Standard 1638 approved for Indoor/Outdoor use. The appliances use a Xenon flashtube with solid state circuitry enclosed in a rugged Lexan® lens to provide maximum visibility and reliability for effective visual signaling. The Series RSSWP mounts to a Series WPSBB Weatherproof Backbox.

Weatherproof Audible Strobe and Audible Series ASWP and AHWP Is UL Standard 1638 and UL Standard 464 approved for Indoor/Outdoor use and offer a field selectable choice of



continuous horn or temporal pattern (Code 3) when constant voltage from the Fire Alarm Control Panel (FACP) is applied. Additionally, the audible has three (3) selectable dBA settings of 99, 95, and 90 dBA in both tones and when synchronized, may be silenced while maintaining strobe activation. The Series ASWP mounts to a WPBB Weatherproof Backbox while the Series AH mounts to a WBB Weatherproof Back box.

### Ordering Information

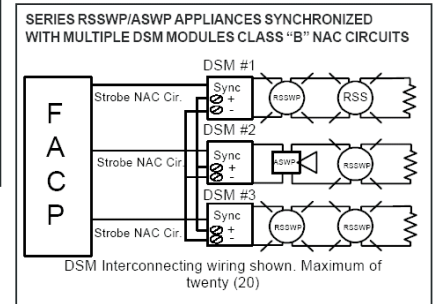
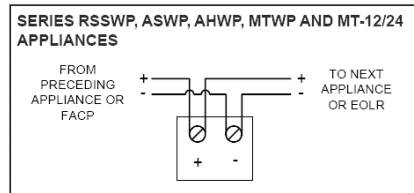
Model Number	Part Number	Description
MTWP-2475W-FR	MTWP-2475W-FR	Weatherproof 75Cd Multi-tone Horn Strobe, Wall, Red
MTWP-2475C-FR	MTWP-2475C-FR	Weatherproof 75Cd Multi-tone Horn Strobe, Ceiling, Red
MTWP-2475C-FW	MTWP-2475C-FW	Weatherproof 75Cd Multi-tone Horn Strobe, Ceiling, White
AH-24WP	AH-24WP	Weatherproof Horn (WBB REG)
RSSWP-2475W-FR	RSSWP-2475W-FR	Weatherproof Strobe 75Cd, Wall, Red
RSSWP-24W-FW	RSSWP-24W-FW	Weatherproof Strobe 75Cd, Wall White
RSSWP-2475C-FR	RSSWP-2475C-FR	Weatherproof Strobe 75Cd, Ceiling, Red
RSSWP-2475C-FW	RSSWP-2475C-FW	Weatherproof Strobe 75Cd, Ceiling White
WBB-R	WBB-R	Back Box, Outdoor, Red
WBB-W	WBB-W	Back Box, Outdoor, White

Weatherproof Multi-tone Strobe and Multi-tone Horn Series MTWP and MT-12/24 is UL Standard 1638 and UL Standard 464 approved for Indoor/Outdoor use and offers a field selectable choice of 8 nationally and internationally recognized alerting signals. Additionally, the audible has 2 installer selectable sound output levels. Standard and high covering a range (depending on selected signal) of 76-94 dBA reverberant. The Series MTWP is a true 4 wire appliance. The Strobe portion can be synchronized or non-synchronized. The multi-tone (audible) portion cannot be synchronized, but it can be connected to a coded fire alarm system. The Series MTWP and the MT-12/24 mount to a series IOB Backbox.

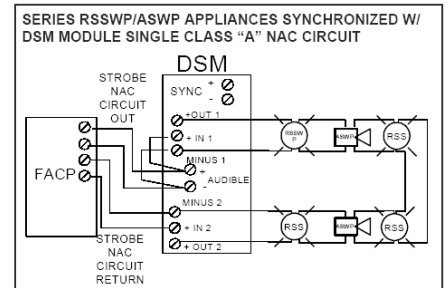
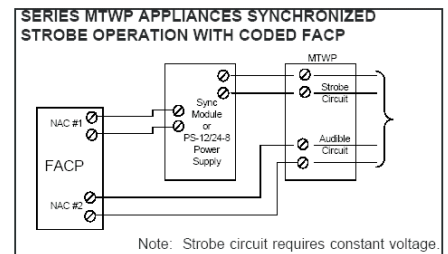
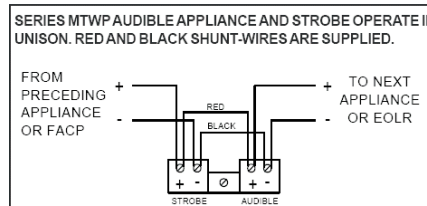
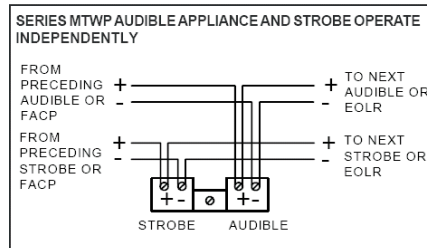
- Synchronize with Series SM, DSM Sync Modules or PS-12/24-8CP and PS-12/24-8MP Power Supplies with built-in patented sync protocol.
- Selectable dBA settings
- Selectable alert signals
- IN and OUT wiring termination that accepts two #12-18 AWG wires at each terminal.
- Inputs are polarized for compatibility with industry standard reverse polarity supervision.

### Features

- Approvals include: UL Standard 1638 and 464, California State Fire Marshal (CSFM) and New York City (MEA), Factory Mutual (FM) and Chicago (BFP). See approvals by model in Table 8.
- Designed to meet or exceed NFPA /UFC/ANSI 117.1/OSHA Part 29, 1910 165, and ADA requirements.
- UL Standard 1638 and UL Standard 464 listed with extended temperature range of -31°F to 150°F (-35°C to 66°C).
- 24 VDC with new UL "Regulated" Voltage Range: of 16-33 VDC using filtered DC or unfiltered FWR voltage. Note: The Series MT-12/24 voltage range is 10.5 15.6 VDC (for 12V) and 20-31 VDC (for 24V).
- Sync/Non-Sync in each product. Note: The audible portion of the Series MTWP and MT-12/24 is non sync only.



### Wiring Diagrams



NOTICE: The information contained in this document is intended only as a summary and is subject to change without notice. The devices described in this document have specific instruction sheets which cover various technical, limitation and liability information. Copies of these instruction sheets and the General Product Warning and Limitations Document, which also contains important information are provided with the product and are available from Harrington Signal Inc. Fire Alarm. Information contained in these documents should be consulted before specifying or using the product. For further information or assistance concerning particular problems contact Harrington Signal Inc. Harrington Signal Inc. Fire Alarm reserves the right to change specifications without notice. Quality manufactured for Harrington Signal, Inc. by Wheelock.