

Harrington Signal Inc.
2519 4th Avenue, Moline, Illinois 61265
P.O. Box 590, Moline, Illinois 61266-0590
Phone: (800) 577-5758 Local: (309) 762-0731 Fax: (309) 762-8215
Internet: www.harringtonfire.com



Description

Series SSPKCLP are ceiling mount, selectable candela speakers and speaker/strobes designed to meet code requirements for audio, visual and voice communications.

The SSPKCLP Series are quality speaker products that offer you both dependable evacuation signaling and visual alarms, or a combination of both. The tamper-proof candela selections are 15, 30, 75, 95 and 115.

The SSPKCLP can be mounted in a 2 1/8" deep square back box, no extension ring is needed.

The SSPKCLP Series provides you a 25 or 70.7 VRMs speaker with field selectable power taps of 1/8W, 1/4W, 1/2W, 1W, 2W or 4W.

Strobes can be synchronized by using the Gentex Synchronization Control Module.

The SSPKCLP Series grills are constructed of high impact textured plastic. The SSPKCLP is

date of purchase. The SSPKCLP warranted for 3 years from the devices are UL 464 and UL 1971 listed for use with fire protective signaling systems.

The SSPKCLP devices are UL 464 and UL 1971 listed for use with fire protective signaling systems.

Features

- Tamper-proof Selectable Candela Selections of 15, 30, 75, 95 and 115
- Unit Dimensions: 6.1" Square x 1.88" Deep
- Ceiling Mounting to a Standard 4" Square x 2-1/8" Deep Back-box No Extension Ring Required
- High Quality dBA Output (Intelligible)
- Frequency Range 400-4000 Hz
- Screw Terminals, Separate In/Out Wiring (12-18 Gauge)
- Field Selectable Power Taps: 1/8W, 1/4W, 1/2W, 1W, 2W, 4W
- Speaker Voltage 25 or 70.7 VRMs Standard, Field Selectable
- To Synchronize Use the Gentex Synchronization Control Module

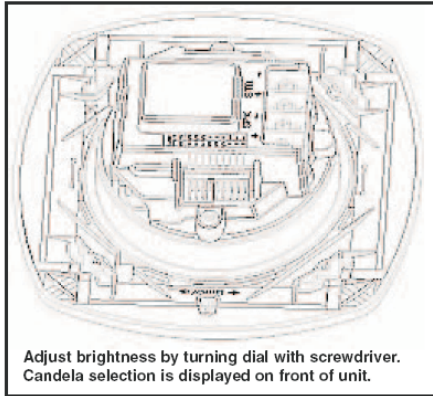


- Tamper-proof Grill
- Faceplate Available in Red or Off-White
- UL 464/UL 1971 Listed for Fire Protective Service/Signal for Hearing Impaired
- Xenon Strobe Maintains Constant Flash Rate (1 Hz) Regardless of Input Voltage

Ordering Information

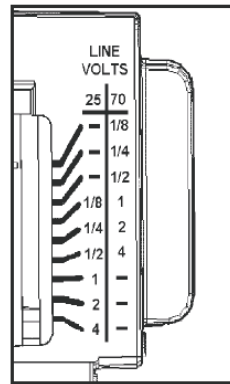
Model Number	Part Number	Description
SSPKCLPR	SSPKCLPR	Ceiling/Wall Mount Speaker, Red Face Plate
SSPKCLPW	SSPKCLPW	Ceiling/Wall Mount Speaker, White Face Plate
SSPK24CLPR	SSPK24CLPR	Ceiling Mount Speaker/Strobe, Red Face Plate
SSPK24CLPW	SSPK24CLPW	Ceiling Mount Speaker/Strobe Multi-Candela, White Face Plate

SSPK24CLP Candela Selection

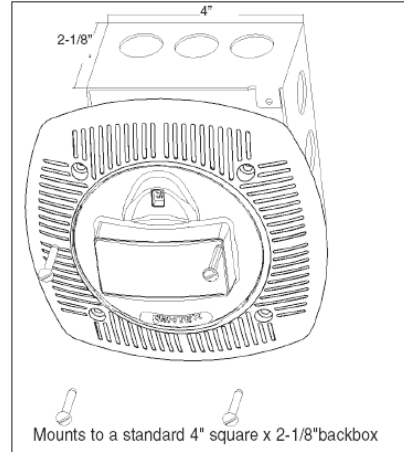


Adjust brightness by turning dial with screwdriver. Candela selection is displayed on front of unit.

SSPKCLP Power Tap Selection (Enlarged)

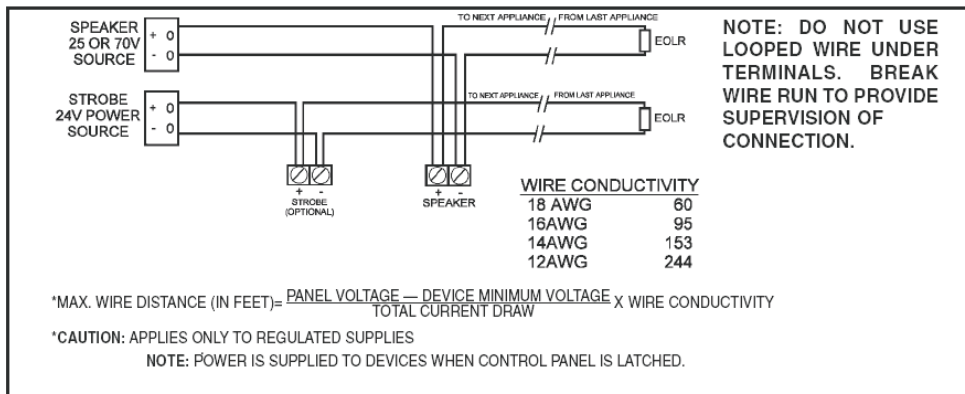


SSPKCLP Mounting Diagram



Mounts to a standard 4" square x 2-1/8" backbox

Wiring Diagram



SSPK WALL MOUNT STROBE CURRENT RATINGS					
Candela	15cd	30cd	75cd	95cd	115cd
24 VDC	72mA	88mA	176mA	200mA	214mA
UL Max ¹	120Ma	130mA	272mA	318mA	360mA

Speaker dBA @ 10 Ft.		
Input Watts	25 Volts	70.7 Volts
1/8	74.6 dBA	73.7 dBA
1/4	77.7 dBA	76.7 dBA
1/2	80.5 dBA	79.6 dBA
1	83.1 dBA	82.5 dBA
2	85.6 dBA	85.4 dBA
4	87.9 dBA	87.9 dBA

Architect & Engineering Specifications

The fire alarm speaker shall be Gentex SSPKCLP or equivalent. The speaker shall be capable of producing tones or voice on all 25 or 70.7 VRMs audio systems. The speaker shall provide incremental tap settings of 1/8, 1/4, 1, 2 or 4 watts. Minimum dBA ratings at 1/4 watt shall be 80 and at 4 watts 90 dBA. Tap settings shall be adjustable with field selectable jumper pins. The speaker shall also have an optional visual signal capability.

The visual signal shall have a 1 Hz or up to 2 Hz flash rate regardless of input voltage. All field wiring connections shall be made via separate in-out terminal connections and the speaker or speaker strobe shall be UL, CSFM, BS&A and BFP-listed and comply with all local, state and federal fire alarm codes/standards.

NOTICE: The information contained in this document is intended only as a summary and is subject to change without notice. The devices described in this document have specific instruction sheets which cover various technical, limitation and liability information. Copies of these instruction sheets and the General Product Warning and Limitations Document, which also contains important information are provided with the product and are available from Harrington Signal Inc. Fire Alarm. Information contained in these documents should be consulted before specifying or using the product. For further information or assistance concerning particular problems contact Harrington Signal Inc. Harrington Signal Inc. Fire Alarm reserves the right to change specifications without notice. Quality manufactured for Harrington by Gentex.