

Harrington Signal Inc.
 2519 4th Avenue, Moline, Illinois 61265
 P.O. Box 590, Moline, Illinois 61266-0590
 Phone: (800) 577-5758 Local: (309) 762-0731 Fax: (309) 762-8215
 Internet: www.harringtonfire.com



Description

Fire Phone accessories give the HAVED System two (2) way communication capability.

Fire Phone jacks are mounted on a single gang plate.

Fixed telephone warden stations are available in Surface/Semi-Flush mount cabinet with a Thumb Turn latch.

Features

- Telephone Jack - Brushed Stainless Steel Single Gang Plate
- Portable Handset - Red 6 mount in HAVED-TC Cabinet
- Telephone Cabinet - Holds 6 HAVED-FH Portable Handset Cabinet: Charcoal Gray - Std. Red (Surface/Semi-Flush Mount/Key Lock 27" x 14 1/2" x 4" h-w-d)
- Fire Phone Station - Coil cord/Thumb Turn Latch - Red Cabinet (Surface/Semi-Flush Mount 12 3/4" x 7 1/4" x 3 3/4" h-w-d)
- Warden Station - Armored Cable/Thumb Turn Latch - Red (Surface/Semi-Flush Mount 12 3/4" x 7 1/4" x 3 3/4" h-w-d)



HAVED-FJ



HAVED-FH



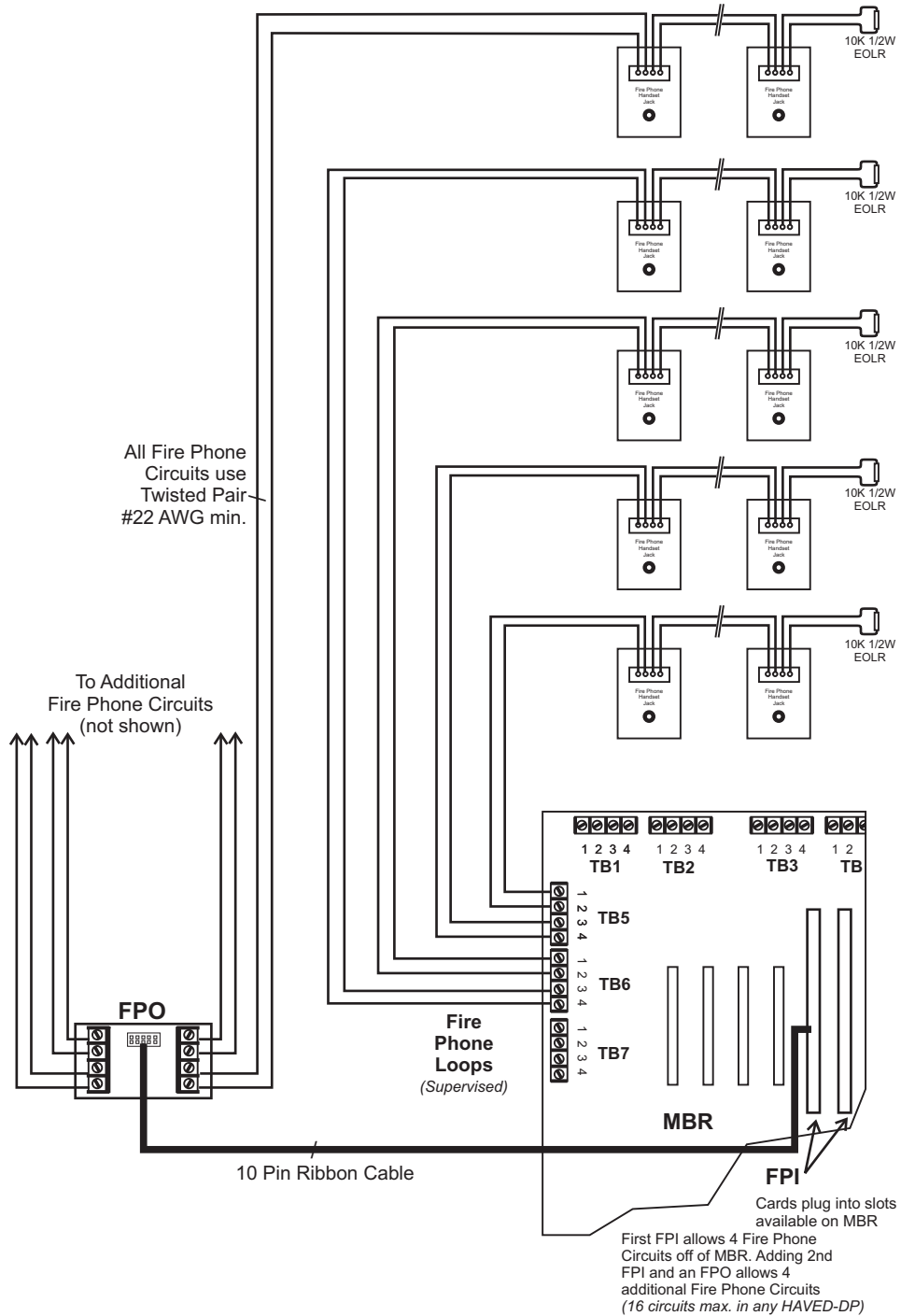
HAVED-TC
(Shown with 6 HAVED-FH)

HAVED-FS
HAVED-WS



Ordering Information

Model Number	Part Number	Description
HAVED-FJ	335-5019	Fire Phone Jack S.G. Plate
HAVED-FH	335-5022	Fire Phone Handset
HAVED-TC	335-5023	Fire Phone Handset Cabinet
HAVED-FS	335-3004	Fire Phone Station Surface Mount
HAVED-WS	335-6108	Warden Station, Armoured Cable/Magnetic Catch



NOTICE: The information contained in this document is intended only as a summary and is subject to change without notice. The devices described in this document have specific instruction sheets which cover various technical, limitation and liability information. Copies of these instruction sheets and the General Product Warning and Limitations Document, which also contains important information are provided with the product and are available from Harrington Signal Inc. Fire Alarm. Information contained in these documents should be consulted before specifying or using the product. For further information or assistance concerning particular problems contact Harrington Signal Inc. Harrington Signal Inc. Fire Alarm reserves the right to change specifications without notice.