

Harrington Signal Inc.
2519 4th Avenue, Moline, Illinois 61265
P.O. Box 590, Moline, Illinois 61266-0590
Phone: (800) 577-5758 Local: (309) 762-0731 Fax: (309) 762-8215
Internet: www.harringtonfire.com



Description

The SSPK24WLP Series are wall mount, selectable candela speaker/strobes designed to meet code requirements for audio, visual and voice communications. The SSPK24WLP Series are quality speaker products that offer both dependable evacuation signaling and visual alarms, or a combination of both. The high output tamperproof candela selections are 15, 30, 60, 75, 110. A fixed 15/75 candela unit is also available.

The SSPK24WLP can be mounted in a 4" square x 2 1/8" deep back box, an extension ring is not needed.

The SSPK24WLP Series provides a 25 or 70.7 Vrms speaker with field selectable power taps of 1/8W, 1/4W, 1/2W, 1W, 2W or 4W. The SSPK24WLP strobes can be synchronized by using the Harrington Synchronization Module, FACP's or power supplies that include the Harrington Synchronization Protocol.

The SSPK24WLP Series grills are constructed of high impact textured plastic. The SSPK24WLP is warranted for 3 years from the date of purchase. The SSPK24WLP devices are UL listed for fire protective services per UL 1480, the selectable candela strobe unit is listed to UL 1971 and the 15/75 unit is listed to UL 1638 and UL 1971.

Features

- 24 Vdc Tamperproof Selectable Candela Selections of 15,30,60, 75 and 110
- 24 Vdc Fixed 15/75 Candela
- Unit Dimensions: 6.1" Square x 1.88" Deep
- Wall Mounting to a standard 4" Square X 2 1/8" Deep Back Box - Extension Ring Not Required
- High Quality dBA Output (Intelligible)
- Frequency Range 400-4000Hz
- Screw Terminals, Separate In/Out Wiring (12-18 Gauge)
- Field Selectable Power Taps: 1/8W, 1/4W, 1/2W 1W, 2W, 4W
- Speaker Voltage 25 or 70.7 Vrms Standard, Field Selectable

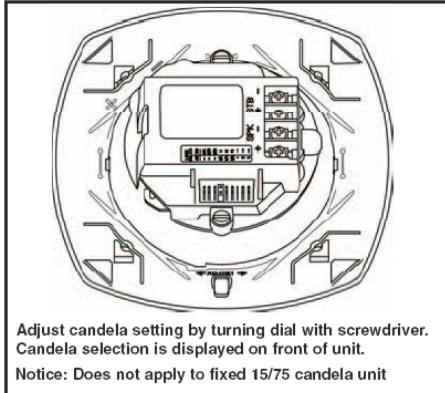


- To Synchronize Use the Harrington Synchronization Control Module
- Tamperproof Grill
- Faceplate Available in Red or Off-White
- Xenon Strobe Maintains Constant Flash Rate (1Hz) Regardless of Input Voltage*

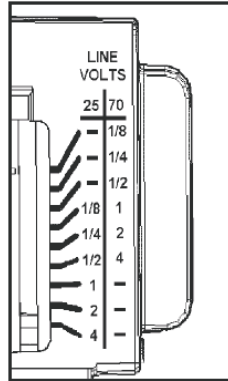
Ordering Information

Model Number	Part Number	Description
SSPK24WLPR	SSPK24WLPR	Low Profile Wall Mount Multi-Candela Speaker/Strobe, Red
SSPK24WLPW	SSPK24WLPW	Low Profile Wall Mount Multi-Candela Speaker/Strobe, White

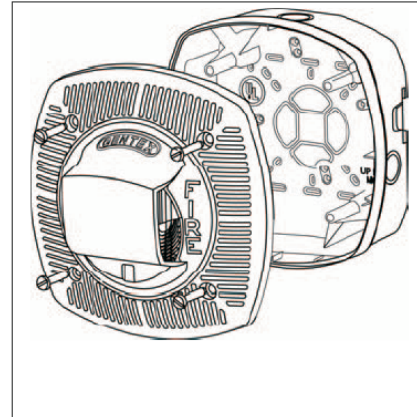
SSPK24WLP Candela Selection: Selectable Candela Unit



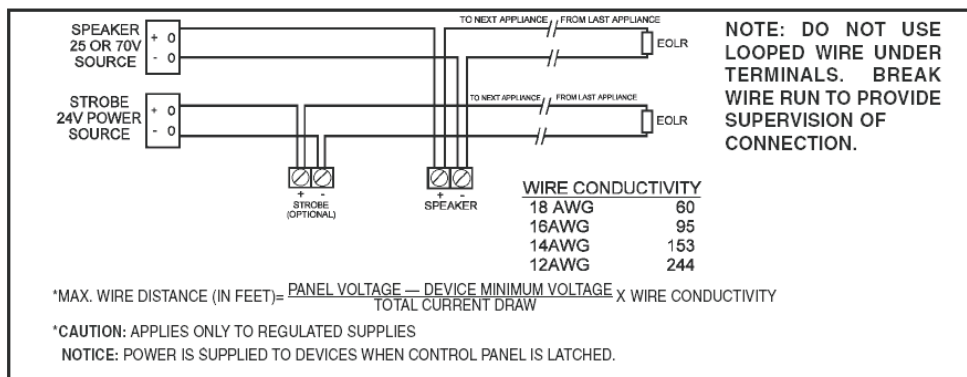
Power Tap Selection



SSPK24WLP Mounting Diagram



Wiring Diagram



SSPK24WLP Wall Mount Strobe Current Ratings

Candela	15cd	30cd	60cd	75cd	110cd	15/75cd
24 VDC	55mA	63mA	88mA	112mA	136mA	63mA
UL Max*	78mA	96mA	137mA	180mA	224mA	96mA

*RMS current ratings are per UL average RMS method. UL maximum current rating is the maximum RMS current within the voltage range (16-33 Vdc for 24 Vdc units) (8-17 Vdc for 12 Vdc units). For strobes the UL max current is usually at the minimum listed voltage (16 Vdc for 24 Vdc units) (8 Vdc for 12 Vdc units). For audibles the maximum current is usually at the maximum listed voltage. For unfiltered FWR ratings, see installation manual.

Low Profile Speaker dBA @ 10 ft.		
Input Watts	25 Volts	70.7 Volts
1/8	74.6 dBA	73.7 dBA
1/4	77.7 dBA	76.7 dBA
1/2	80.5 dBA	79.6 dBA
1	83.1 dBA	82.5 dBA
2	85.6 dBA	85.4 dBA
4	87.9 dBA	87.9 dBA

Architect & Engineering Specifications

The fire alarm speaker shall be Harrington SSPK24WLP or equivalent. The speaker shall be capable of producing alarm tones or voice on all 25 or 70.7 Vrms audio systems. The speaker shall provide incremental tap settings of 1/8, 1/4, 1/2, 1, 2 or 4 watts. Minimum dBA ratings at 1/4 watt shall be 76.7 dBA and at 4 watts 87.9 dBA. Tap settings shall be adjustable with field selectable jumper pins. The speaker shall also have an optional visual signal capability.

The visual signal shall have a 1 Hz flash rate regardless of input voltage. All field wiring connections shall be made via separate in-out terminal connections and the speaker or speaker strobe shall be UL, CSFM and MEA listed and comply with all local, state and federal fire alarm codes/standards.

NOTICE: The information contained in this document is intended only as a summary and is subject to change without notice. The devices described in this document have specific instruction sheets which cover various technical, limitation and liability information. Copies of these instruction sheets and the General Product Warning and Limitations Document, which also contains important information are provided with the product and are available from Harrington Signal Inc. Fire Alarm. Information contained in these documents should be consulted before specifying or using the product. For further information or assistance concerning particular problems contact Harrington Signal Inc. Harrington Signal Inc. Fire Alarm reserves the right to change specifications without notice.