

Harrington Signal Inc.
 2519 4th Avenue, Moline, Illinois 61265
 P.O. Box 590, Moline, Illinois 61266-0590
 Phone: (800) 577-5758 Local: (309) 762-0731 Fax: (309) 762-8215
 Internet: www.harringtonfire.com



Description

The FireSpy® Tracker T8000 FACP features a modular design that can be either addressable or conventional. The basic T8000 unit can be ordered with 2 or 4 SLC circuits (T-LCU) or 10 Class B / 5 Class A conventional zones (T-CM). It may also be ordered with or without a Digital Alarm Communicator Transmitter (T-UDACT). If needed, A T-NCA network module or up to two T-RC relay modules (2 programmable relays per module) may be mounted in the main enclosure if the T-UDACT is not mounted there. Using the T-NCA module the T8000 can be networked to other T1000 or T2000 or T8000 FACP's for a total of 254 FACP's.

With different combinations of expansion cabinets, the T8000 may be expanded up to 30 Class A or 60 Class B conventional zones (T-CM) and up to 48 programmable relays (T-SRM).

The T-LCU module contains two built-in SLC's that can be programmed for I-SPY / XP95 series addressable devices (126 points of either modules or detectors on the SLC) or System Sensor addressable devices (99 detectors / 99 modules) or T-SPY series detectors of 254 points on the SLC. The T8000 shall support and operate

all three protocol makes at the same time.

The T8000 is listed for releasing device service for deluge or water using the T-RLS. The T8000 shall support up to 16 T-RLS for a total of 16 individual releasing circuits.

The FireSpy® Tracker T8000 can be fully programmed from the keypad of the FACP or from a PC (using the TG-CBL-USB cable) with FireSpy® software package.

The Tracker T8000 FACP supports a Digital Alarm Communicator Transmitter (T-UDACT) module that can be mounted in the FACP enclosure or in a remote location. The T-UDACT supports either SIA or Contact ID format to the Central Station. The unit has a built-in speaker for audible feedback, which can be enabled or disabled.

Features

- Modular Design
- Auto Learn Programming
- Fully programmable through Keypad on FACP
- System supports 250 groups and 250 network groups (with optional network module T-NCA)
- System can be networked with network module, 254 panels (T-NCA)



- Add-on Digital Alarm Communicator Transmitter module
- Drift Compensation¹
- SLC support I-Spy / XP95 (126 devices) or System Sensor (198 devices) or T-Spy (254 devices)
- Alarm Verification²
- Add-on two Addressable SLC's per T-LCU module (maximum of 8 loops)
- Releasing device service for deluge water
- System supports up to 16 T-RLS per system
- All Modules can be remotely placed
- Conventional Module (T-CM) 5 Class A or 10 Class B zones per module

Features Continued on Next Page

Ordering Information

Model Number	Part Number	Description
T8-P-U	T8-P-U	2 Addressable SLC FACP, Class A or B (System Sensor / I-Spy / XP95 / T-Spy)
T8-P-UD	T8-P-UD	2 Addressable SLC FACP, Class A or B (System Sensor / I-Spy / XP95 / T-Spy w/ T-UDACT)
T8-P-2U	T8-P-2U	4 Addressable SLC FACP, Class A or B (System Sensor / I-Spy / XP95 / T-Spy)
T8-P-2UD	T8-P-2UD	4 Addressable SLC FACP, Class A or B (System Sensor / I-Spy / XP95 w/ T-UDACT / T-Spy)
T8-P-C	T8-P-C	Conventional FACP, 10 Zones Class B or 5 Zones Class A
T8-P-CD	T8-P-CD	Conventional FACP, 10 Zones Class B or 5 Zones Class A w/ T-UDACT
T-EXP-U	T-EXP-U	1 T-LCU Address. SLC bd in Exp. Cabinet, Class A or B (System Sensor / I-Spy / XP95 / T-Spy)
T-EXP-2U	T-EXP-2U	2 T-LCU Address. SLC bd in Exp. Cabinet, Class A or B (System Sensor / I-Spy / XP95 / T-Spy)
T-MBC	T-MBC	Main Control Assembly, includes chassis, MCC, PDC, PC and power supply RI980, 120VAC
T-LCU	T-LCU	2 Loop Addressable SLC Board for Class B or Class A (System Sensor / I-Spy / XP95 / T-Spy)
T-CM	T-CM	Conventional Module Board w/ 10 Zones Class B or 5 Zones Class A
T-EXP	T-EXP	Small Expander Cabinet for boards to be placed in remote locations (holds 2 T-LCU Boards or 1 T-SRM Board or 1 T-CM Board)
		<i>Ordering Information Continued on Next Page</i>

Ordering Information Continued

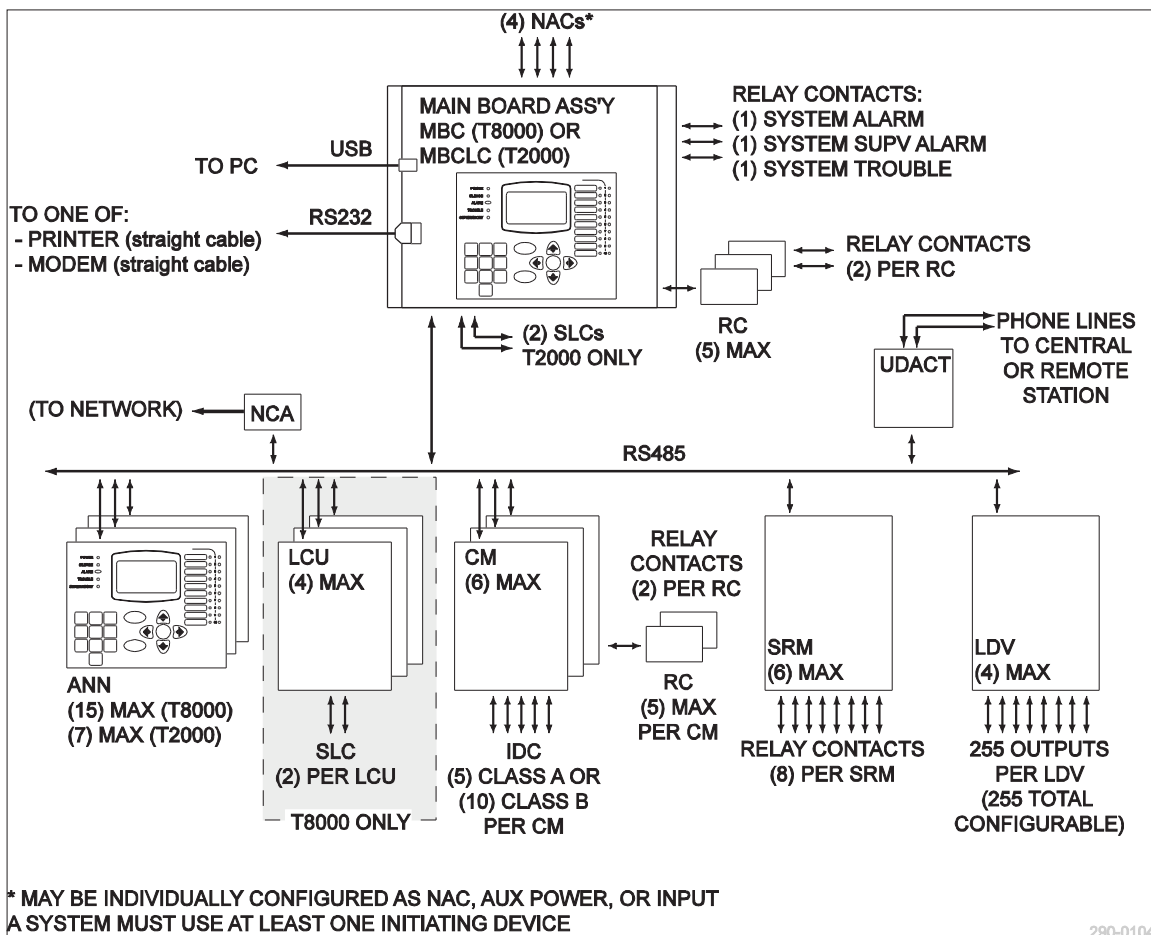
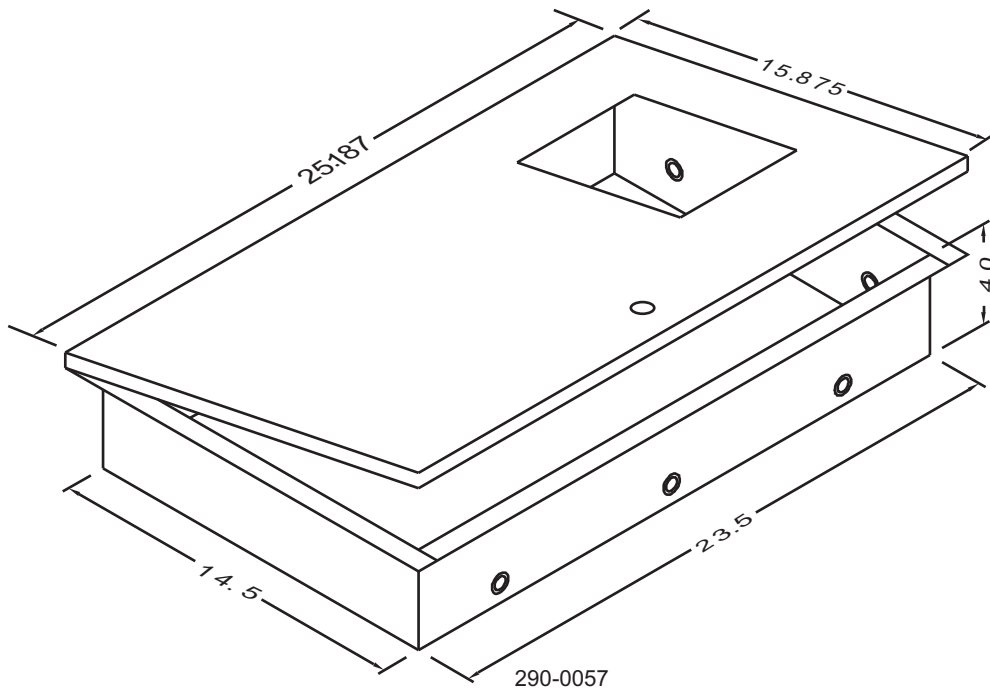
Model Number	Part Number	Descripción
T8-CAB	T8-CAB	Cabinet for T8-P-U, T8-P-UD, T8-P-2U, T8-P-2UD, T8 P-C & TB P-CD
T-EXPR-CR	T-EXPR-CR	Conventional Module Bd in Expander Cabinet, 10 Class B or 5 Class A w/ 1 T-RC Board (2 form C contacts - can hold up to 5 T-RC Relay Boards)
T-EXP5	T-EXP5	Relay Board Expander Cabinet Only - (can hold up to 5 T-RC Relay Boards)
T-EXP5N-R	T-EXP5N-R	1 T-RC Relay Board in Expander Cabinet (can hold up to 5 T-RC Relay Boards)
T-EXPD	T-EXPD	T-UDACT or T-NCA Expander Cabinet
T-ANN	T-ANN	Remote LCD Annunciator Board in Cabinet for the T1000, T2000, and T8000, Red
T-UDACT	T-UDACT	Universal Dialer Board (SIA or Contact ID)
T-NCA	T-NCA	Network Module Board
T-PDCR	T-PDCR	Remote LCD Annunciator Board without Cabinet for T1000, T2000, and T8000
T-RC	T-RC	Relay Boards w/ 2 Programmable Relays, connects off the MCC or CM Module Boards (Cable is needed to 1st T-RC board connection, 5 board limit per connection)
T-SRM	T-SRM	Serial Relay Module Board w/ 8 Programmable Relays
T-LDV	T-LDV	Lamp Driver Module Board w/ up to 255 outputs, LED's or Lamps
TG-CBL-RC	TG-CBL-RC	Cable to connect T-RC Board to the MCC Board or T-CM Module Board, 14"
TG-CBL-RC-36	TG-CBL-RC-36	Cable to connect T-RC Board to the MCC Board or T-CM Module Board, 36"
T-ACAB	T-ACAB	Remote Annunciator Cabinet Only
T-KIT	T-KIT	Mounting Hardware Kit for Expander Cabinets (stand-offs, nuts & screws)
T-KIT-RC	T-KIT-RC	Mounting Hardware Kit for T-RC, T-UDACT & T-NCA Boards (screws)
TG-CBL-USB	TG-CBL-USB	USB Programing Cable T1-P, T2-P, & T8-P FACP's
440-8021	440-8021	Cat 15 Lock & Key
TG-CBL-NULL	TG-CBL-NULL	Null Modem Cable, DB9F to DB9F, 6'
440-0293	440-0293	Cat 15 Key Only
T-RLS	T-RLS	Pre-wired Releasing Circuit Assembly

Features Continued

- Detectors have Flash / Non-Flash LED option per detector¹
- System supports up to 6 (T-CM) modules per system
- Serial Relay Module (T-SRM) provides 8 programmable relay contacts rated at 10A @ 30VDC & 10A @ 250VAC Resistive load or 3A @ 250VAC inductive load
- System supports up to 6 T-SRM's for a total of 48 programmable relay contacts
- Lamp Driver Module (T-LDV) provides up to 255 outputs to drive lamps
- Lamps maybe LED's or incandescent bulbs (4 T-LDV per System)
- 15 Remote annunciators (T-ANN) per FACP
- Remote reset programmable per each annunciator
- Supervisory can be set up as latching or non-latching event
- Inputs can be set up as non-reporting latching or non-reporting non-latching event
- Groups can be Output Delay by Groups
- Groups can be configured as (Output Follows Input, Latch Output On, Latch Output Off, Toggle Output On/Off)
- Normal Walk Test
- Silent Walk Test
- Walk Test events are recorded and stored in the history log
- 4 built in NAC output rated at 3 Amps each and 7 Amps total per system
- System factory configured for 4 NAC's and no Auxiliary Power
- NAC outputs can be configured with the Sync Protocol (Gentex, System Sensor, Wheelock & Amseco)
- NAC outputs can be configured as 24 VDC continuous or resettable power source
- NAC outputs can be programmable as an input dry contact circuit for Alarm / Water Flow / Pull Station / Supervisory Conditions
- NAC mode can be used to activate an external NAC driven device, such as a NAC power supply or HAVE voice evacuation system.
- Digital Alarm Communicator Transmitter (T-UDACT)
- T-UDACT supports SIA and Contact ID format
- T-UDACT has a built-on speaker with enable or disable feature for installation troubleshooting
- T-UDACT has unsent event log purge switch
- Serial Printer Interface Non-Supervised

¹ IS Series Only (Excluding IS819 & IS820)

² XP95 and System Sensor Series detectors Only



290-0104

Engineering Specifications

The panel shall be a Harrington Signal FireSpy® series Tracker T8000, modular type design with option of having either addressable SLC's and/or conventional zones with the option of adding on modules for other user applications. The Tracker T8000 shall support the following modules: T-LCU, T-CM, T-SRM, T-RC, T-UDACT, T-LDV, T-ANN, and T-NCA.

The basic Tracker T8000 addressable panel shall consist of two built-in SLC's (1 T-LCU module) and expandable to eight SLC's (with T-EXP enclosures) and /or optional 10 zones conventional (1 T-CM module), expandable up to 30 Class A or 60 Class B conventional zones (with T-EXP enclosures). The basic system shall be capable of operating either I-Spy / XP95 series devices or System Sensor series devices or T-Spy series of detectors on the addressable SLC circuit.

The T8000 shall support addressing from 1 to 254 addressable points on each SLC. The T8000 shall support either / or I-Spy / XP95, System Sensor and T-Spy addressable devices on each SLC. The T8000 shall support up to 126 addressable points of either I-Spy / XP95 series or 1-99 for detectors and 101-199 for modules for the System Sensor Series of devices, or T-Spy series detectors for address points 1-254, for a total of 254 addressable points for each T8000 SLC.

The T8000 shall support auto programming from the keypad or programming from a PC with the FireSpy® Tracker software package. The panel shall have the capability of connecting to a modem (T-MOD) for off-site programming and trouble shooting (accessory only).

The Tracker T8000 shall have 4 output circuits that can be configured in 11 different modes of operation. The Tracker T8000 shall have built-in sync for strobe circuits or combination horn / strobe circuits.

The Tracker T8000 shall have 250 panel group associations and 250 network group associations. If needed, the Tracker T8000 shall have a T-NCA module, one per FACP to network up to 254 panels in a peer to peer network.

The Tracker T8000 shall be expandable to have the Digital Alarm Communicator Transmitter (T-UDACT) for off-site communication transmission of alarm, supervisory, or trouble conditions to the Central Station using SIA or Contact ID communication format. The T-UDACT shall have a built on speaker for trouble shooting.

The Tracker T8000 shall be expandable to have up to fifteen remote annunciators connected per panel. Each annunciator can be programmed for remote reset individually.

The Tracker T8000 shall be expandable to have a lamp driver module (T-LDV) that will provide outputs to drive a supervised lamp. Lamps may be LED's or Incandescent bulbs; the Tracker T8000 panel allows programming for up to 255 outputs shared among up to four LDV's per system. Each LDV may drive up to 255 of the programmable outputs.

The Tracker T8000 shall be expandable to connect to the T-SRM serial relay module that provides eight programmable relay contacts. Each relay contact may be programmed with up to 10 different group associations. The Tracker T8000 shall support up to six T-SRM's, for a total of 48 programmable relays. The T-SRM may be mounted in the main cabinet or remotely in an external cabinet (with T-EXP enclosure).

The Tracker T8000 shall be capable for releasing device services and shall be expandable to connect up to sixteen T-RLS's individual releasing circuits.

NOTICE: The information contained in this document is intended only as a summary and is subject to change without notice. The devices described in this document have specific instruction sheets which cover various technical, limitation and liability information. Copies of these instruction sheets and the General Product Warning and Limitations Document, which also contains important information are provided with the product and are available from Harrington Signal Inc. Fire Alarm. Information contained in these documents should be consulted before specifying or using the product. For further information or assistance concerning particular problems contact Harrington Signal Inc. Harrington Signal Inc. Fire Alarm reserves the right to change specifications without notice. Modem is an accessory only (non UL listed)